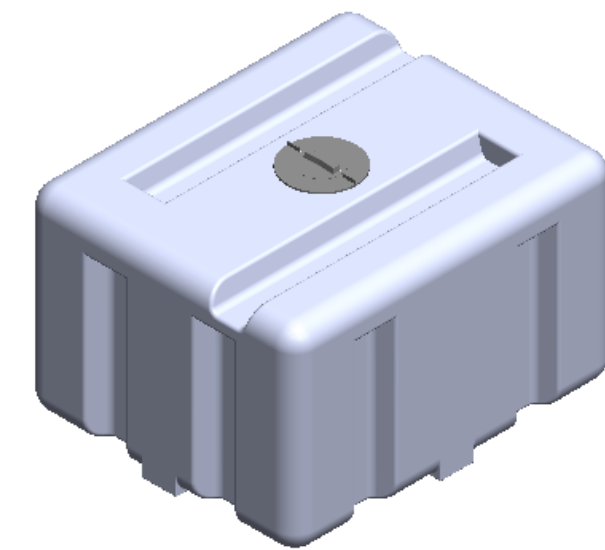
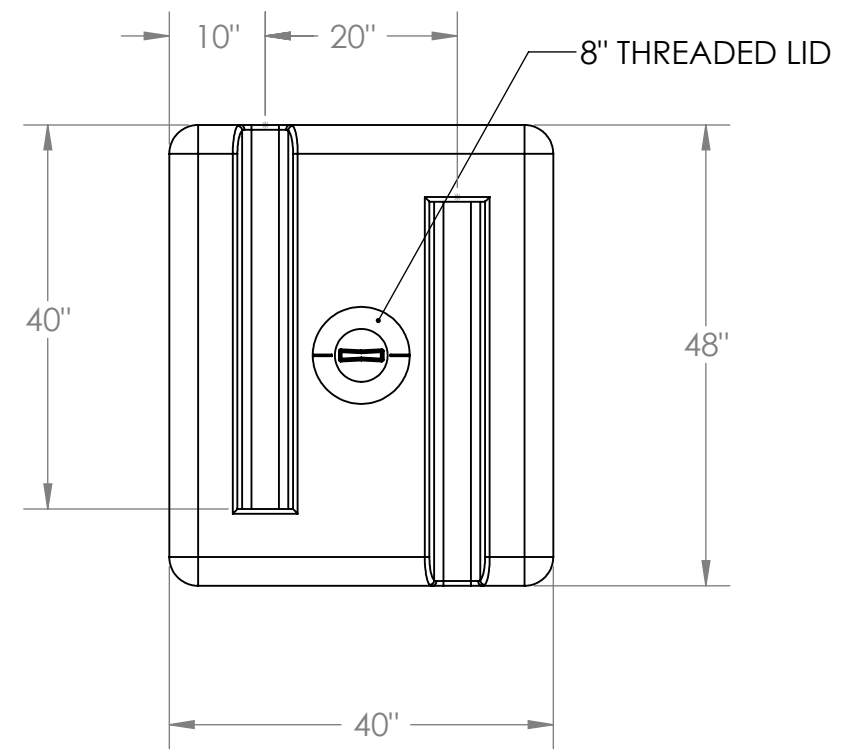


8 7 6 5 4 3 2 1

D

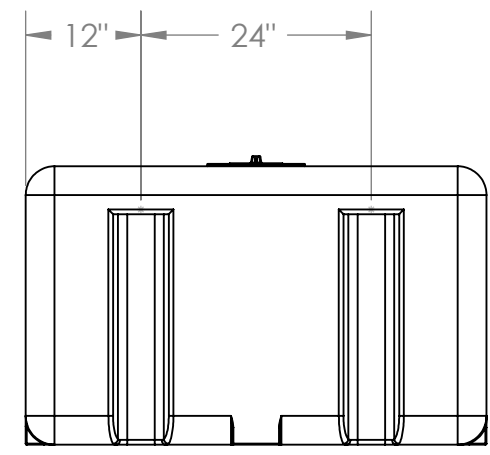
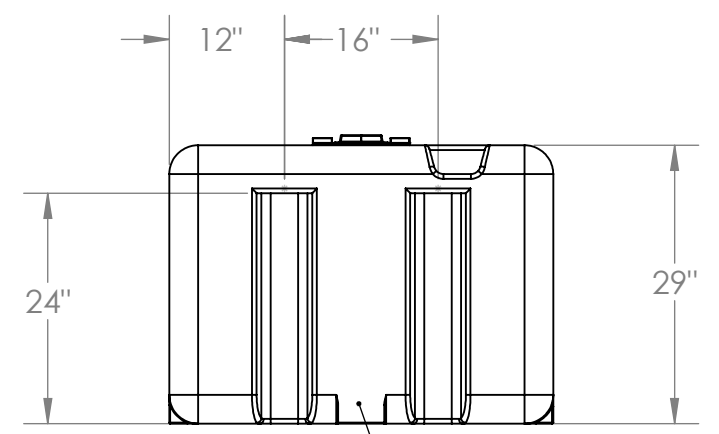


D

C

C

B



NOTES:

1. MATERIAL: POLYETHYLENE
2. CAPACITY: 200 GALLONS
3. WEIGHT: 80 LBS

B

A

A

FITTING LOCATIONS  
(4) PLCS.

**PROPRIETARY AND CONFIDENTIAL**  
THE INFORMATION CONTAINED IN THIS DRAWING IS THE SOLE PROPERTY OF <INSERT COMPANY NAME HERE>. ANY REPRODUCTION IN PART OR AS A WHOLE WITHOUT THE WRITTEN PERMISSION OF <INSERT COMPANY NAME HERE> IS PROHIBITED.

|             |         |   |  |           |      |  |               |              |
|-------------|---------|---|--|-----------|------|--|---------------|--------------|
|             |         | UNLESS OTHERWISE SPECIFIED:   |  | NAME      | DATE | CUSTOM ROTO-MOLDING, INC.                        |               |              |
|             |         | DIMENSIONS ARE IN INCHES<br>TOLERANCES:<br>FRACTIONAL ±<br>ANGULAR: MACH ± BEND ±<br>TWO PLACE DECIMAL ±<br>THREE PLACE DECIMAL ± |  | DRAWN     | EBW  |  | 11-24-09      |              |
|             |         | INTERPRET GEOMETRIC TOLERANCING PER:  |  | CHECKED   |      | TITLE:<br><b>200 GALLON<br/>RECTANGULAR TANK</b> |               |              |
|             |         | MATERIAL  |  | ENG APPR. |      |  |               |              |
|             |         | FINISH  |  | MFG APPR. |      |  |               |              |
| NEXT ASSY   | USED ON | DO NOT SCALE DRAWING  |  | Q.A.      |      | SIZE   | DWG. NO.      | REV          |
| APPLICATION |         |   |  | COMMENTS: |      | <b>B</b>   | <b>200 RT</b> |              |
|             |         |   |  |           |      | SCALE: 1:20                                      | WEIGHT:       | SHEET 1 OF 1 |

8 7 6 5 4 3 2 1